

Lecture 16

Multiplexer/De-multiplexer

Mux/Demux Vocabulary

MULTIPLEXER (aka DATA SELECTOR)- circuit that can select one of a number of inputs and pass the logic level of that input to the output.

DEMULTIPLEXER (aka DATA DISTRIBUTOR)- circuit that depending on the status of its select inputs will channel its data input to one of several outputs.

SELECT INPUTS (aka ADDRESS LINES)- used by the mux to determine which data inputs will be switched to the output.

if 2^N input lines = N select lines

Example of a Combinatorial Circuit: A Multiplexer (MUX)

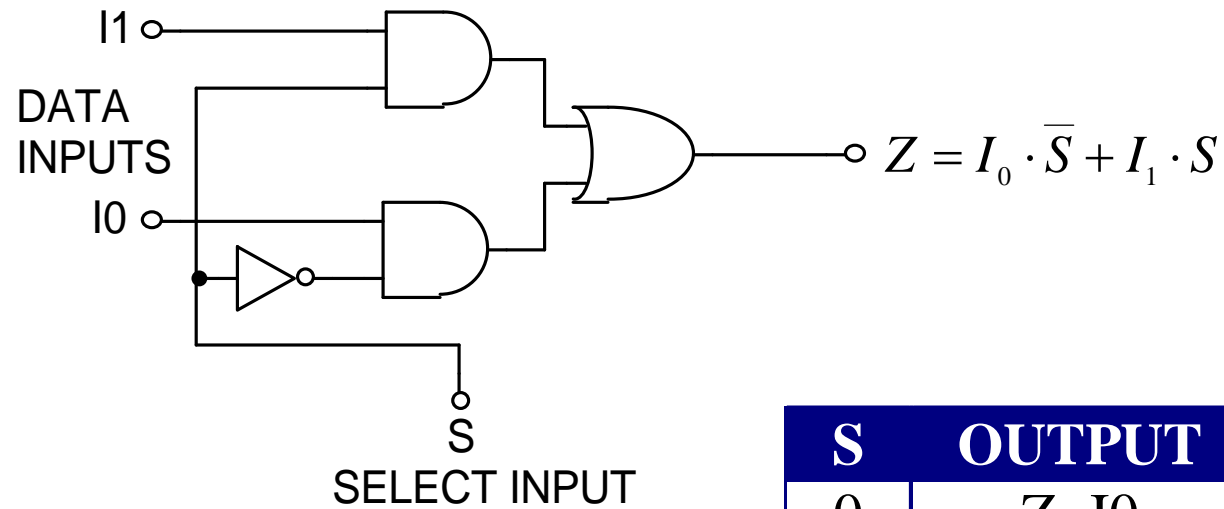
Consider an integer 'm', which is constrained by the following relation:

$m = 2^n$, where m and n are both integers.

- **A m-to-1 Multiplexer** has
 - m Inputs: $I_0, I_1, I_2, \dots, I_{(m-1)}$
 - one Output: Y
 - n Control inputs: $S_0, S_1, S_2, \dots, S_{(n-1)}$
 - One (or more) Enable input(s)

such that Y may be equal to one of the inputs, depending upon the control inputs.

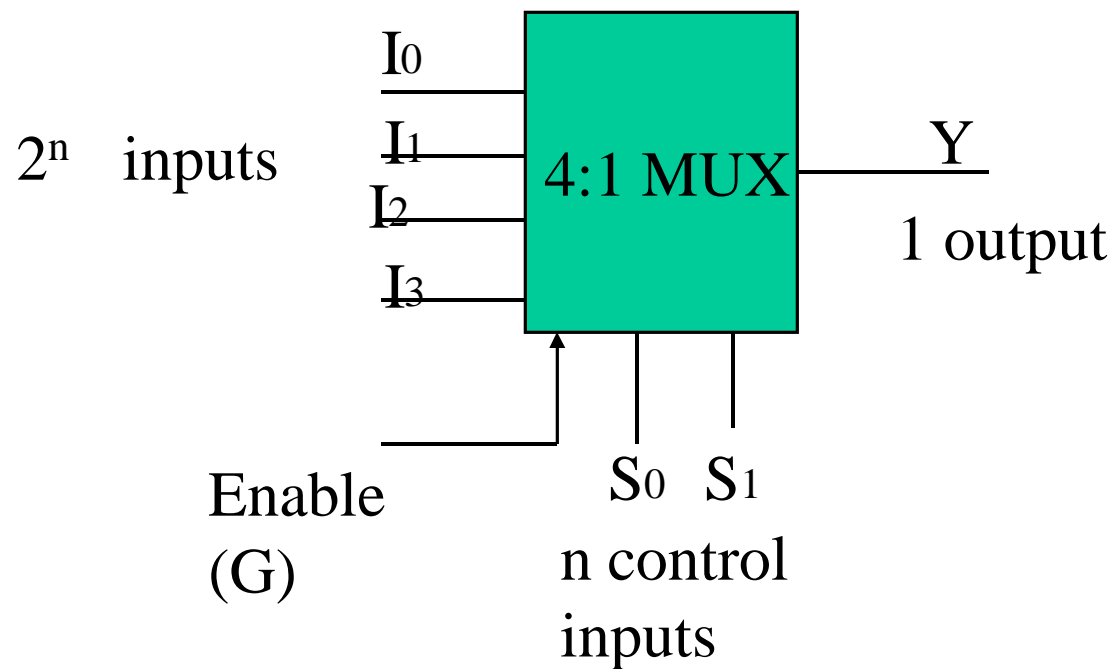
BASIC TWO-INPUT MULTIPLEXER



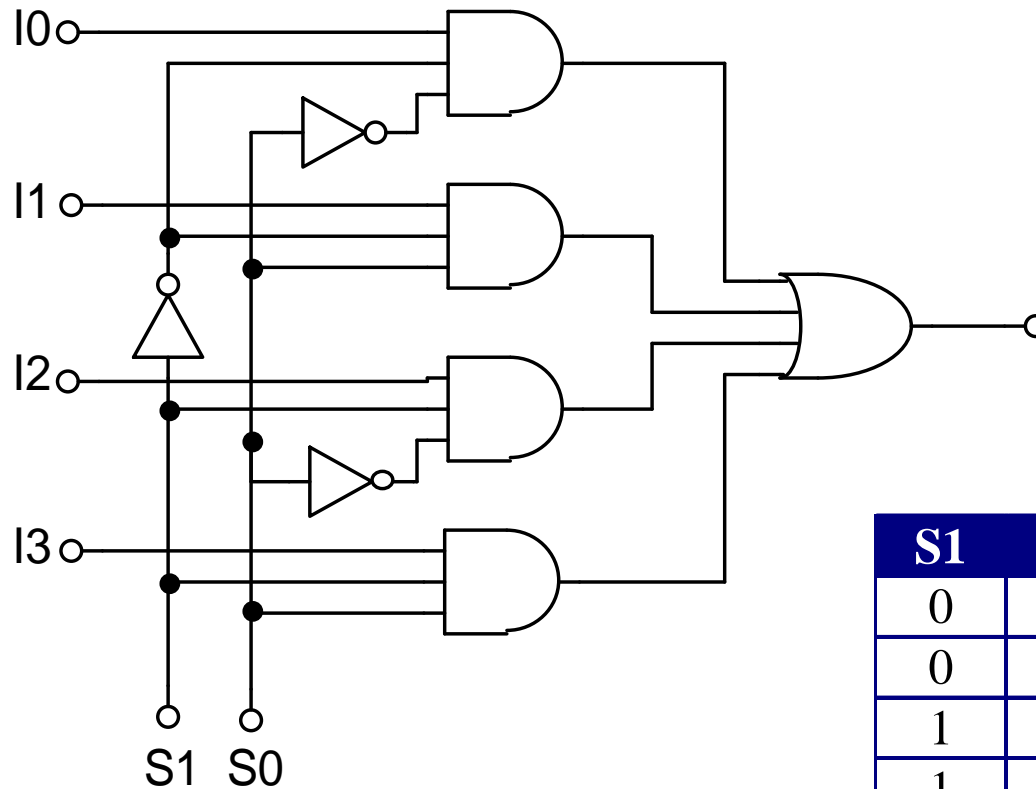
S	OUTPUT
0	$Z=I_0$
1	$Z=I_1$

Example: A 4-to-1 Multiplexer

A 4-to-1 Multiplexer:



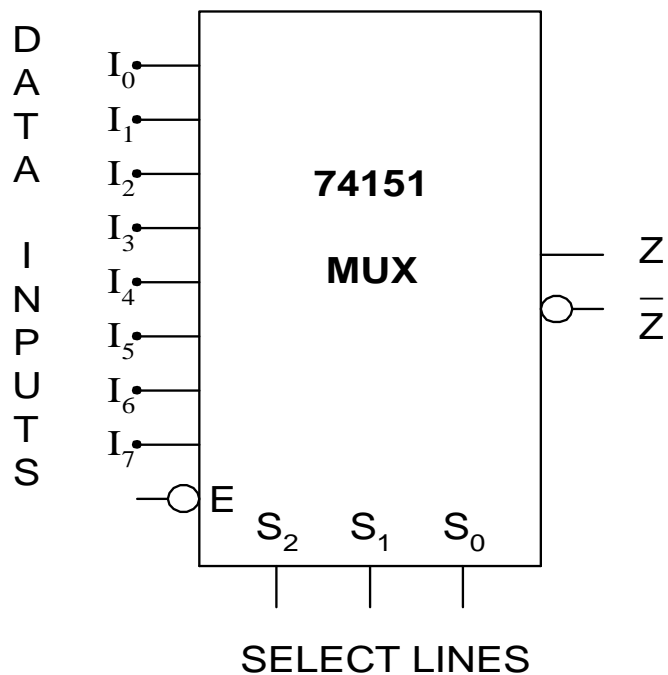
FOUR-INPUT MULTIPLEXER



S1	S0	OUTPUT
0	0	$Z=I_0$
0	1	$Z=I_1$
1	0	$Z=I_2$
1	1	$Z=I_3$

MULTIPLEXER LOGIC DIAGRAM

- Takes one of many inputs and funnels it to an output Z.
- Take the selector lines convert to a decimal number and this is the input funneled to the output.
- Strobe is active low enable

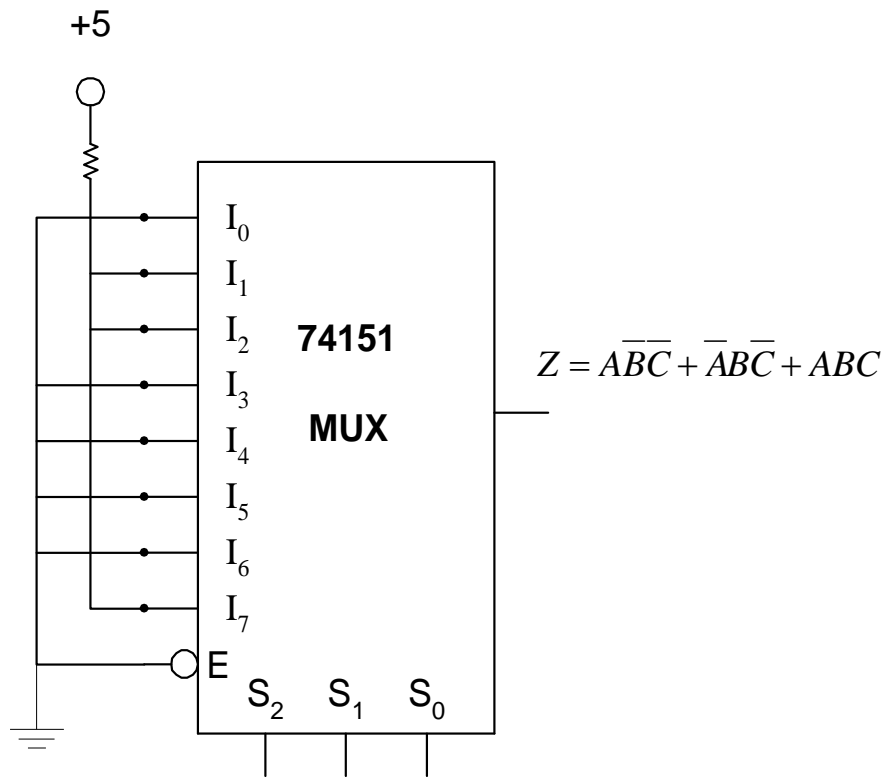


S2	S1	S0	E	Z
0	0	0	0	I0
0	0	1	0	I1
0	1	0	0	I2
0	1	1	0	I3
1	0	0	0	I4
1	0	1	0	I5
1	1	0	0	I6
1	1	1	0	I7

MULTIPLEXER APPLICATIONS

- DATA ROUTING**
- PARALLEL-TO-SERIAL CONVERSION**
- OPERATION SEQUENCING**
- IMPLEMENT LOGIC FUNCTION OF A TRUTH TABLE**

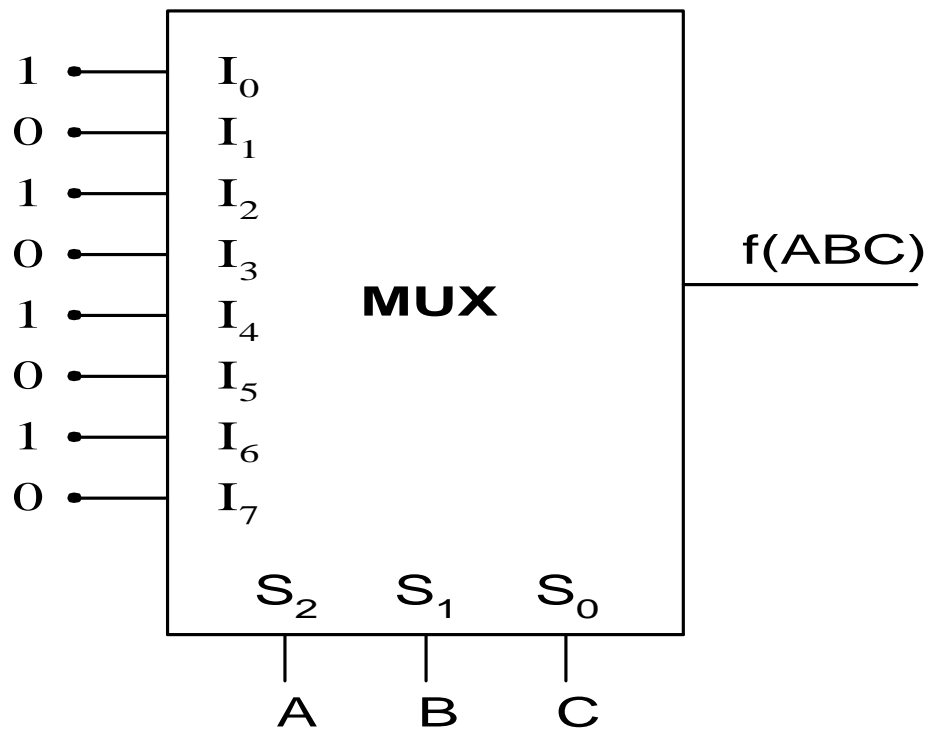
LOGIC FUNCTION GENERATION



C	B	A	Z
0	0	0	0
0	0	1	1
0	1	0	1
0	1	1	0
1	0	0	0
1	0	1	0
1	1	0	0
1	1	1	1

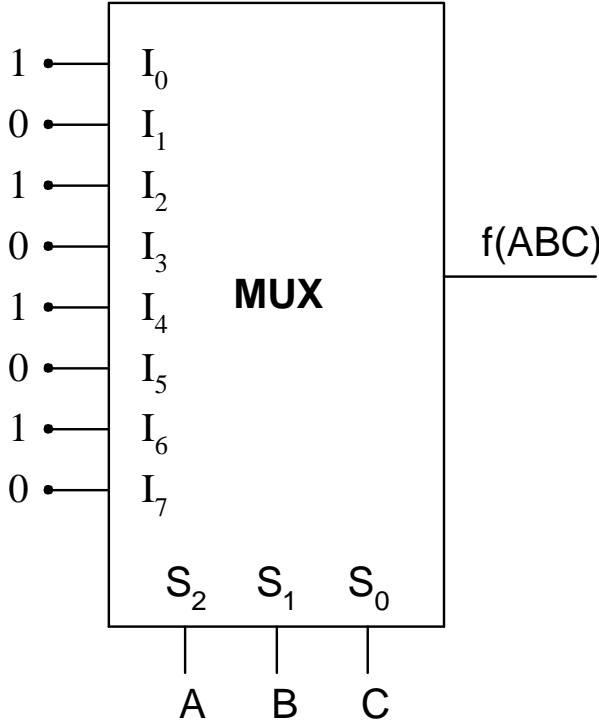
Assignment -16

FILL IN THE TABLE



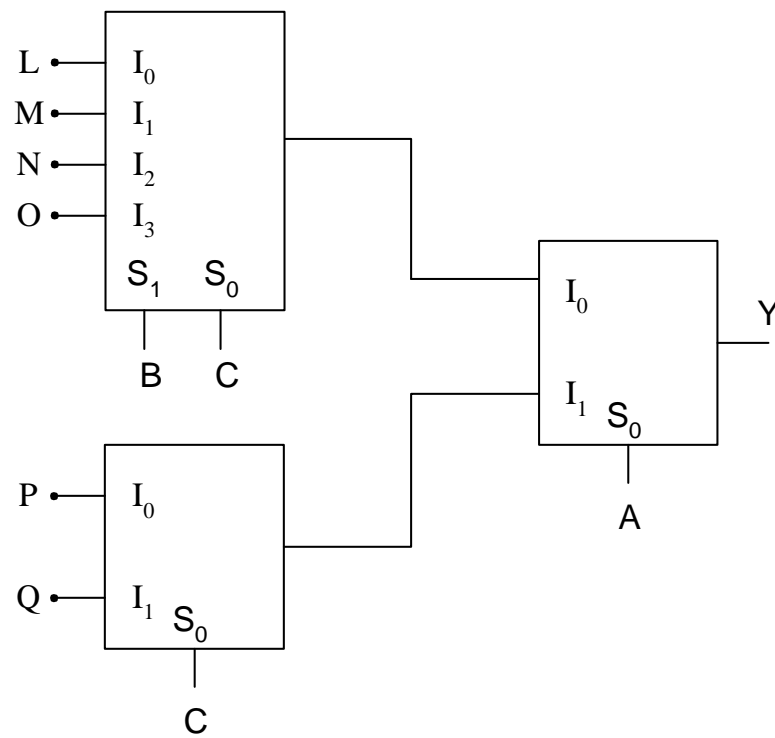
A	B	C	F
0	0	0	
0	0	1	
0	1	0	
0	1	1	
1	0	0	
1	0	1	
1	1	0	
1	1	1	

FILL IN THE TABLE



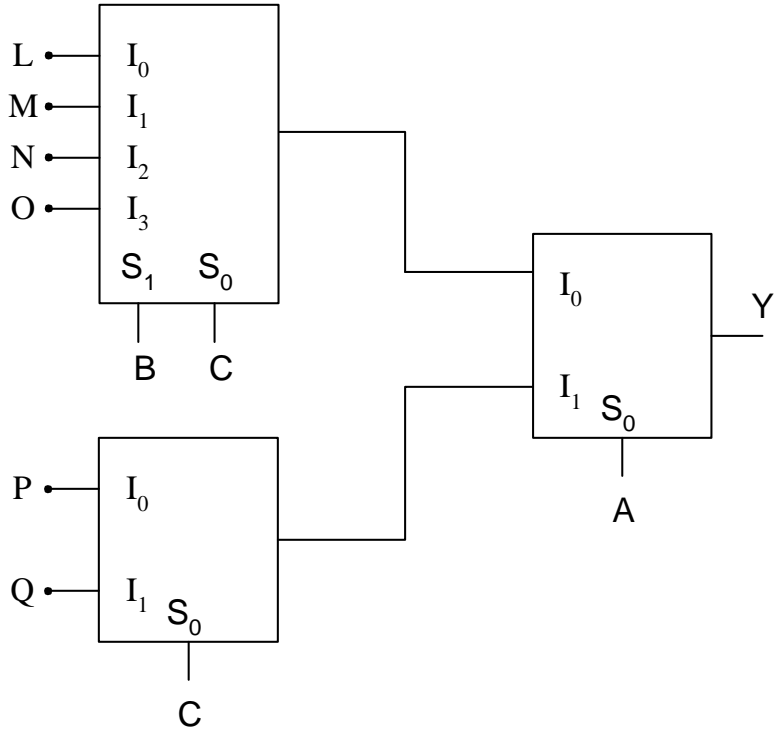
A	B	C	F
0	0	0	1
0	0	1	0
0	1	0	1
0	1	1	0
1	0	0	1
1	0	1	0
1	1	0	1
1	1	1	0

FILL IN THE TABLE



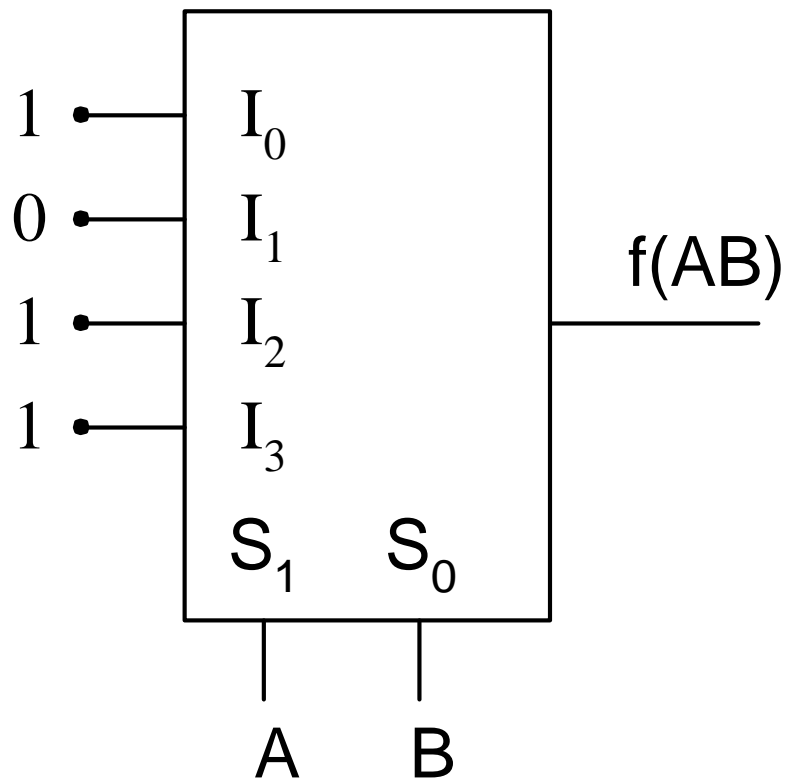
A	B	C	Y
0	0	0	
0	0	1	
0	1	0	
0	1	1	
1	0	0	
1	0	1	
1	1	0	
1	1	1	

FILL IN THE TABLE



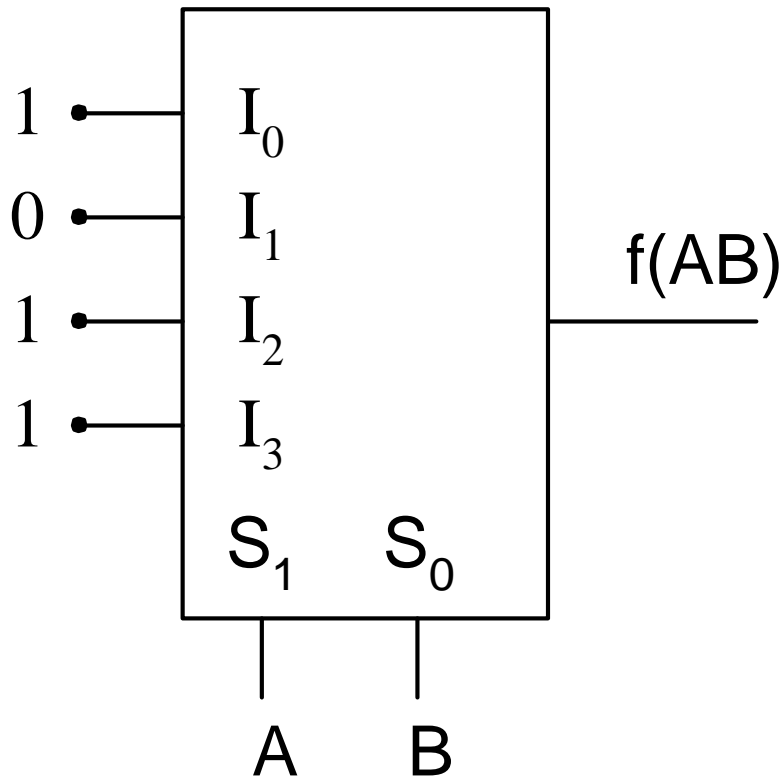
A	B	C	Y
0	0	0	L
0	0	1	M
0	1	0	N
0	1	1	O
1	0	0	P
1	0	1	Q
1	1	0	P
1	1	1	Q

WRITE A BOOLEAN EXPRESSION FOR THE CIRCUIT





WRITE A BOOLEAN EXPRESSION FOR THE CIRCUIT

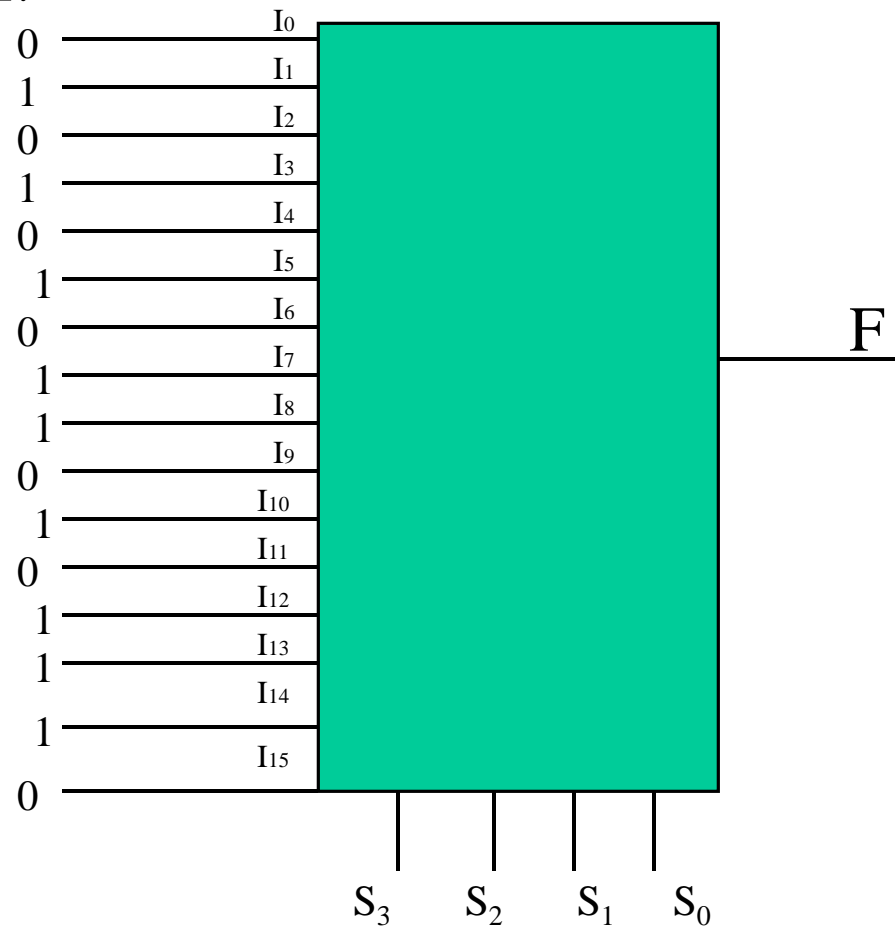


$$\overline{\overline{A}}\overline{\overline{B}} + \overline{A}\overline{B} + AB$$

Implementing Digital Functions : by using a Multiplexer

Implementation of $F(A,B,C,D)=\sum (m(1,3,5,7,8,10,12,13,14), d(4,6,15))$

By using a 16-to-1 multiplexer:



NOTE: 4,6 and 15 MAY BE CONNECTED to either 0 or 1

